



Open Slide Hanging Shelf  
1720-1212-11 12" D x 12'W



Hanging Shelf  
1120-1212-11 12" D x 12'W



Storage Shelf  
1220-1212-11 12" D x 12'W  
1220-1612-11 16" D x 12'W



Tight Mesh Storage Shelf  
1520-0912-11 9" D x 12'W  
1520-1212-11 12" D x 12'W  
1520-1612-11 16" D x 12'W

## Architectural Specifications:

### Coating

- Organized Living coats shelving with custom-formulated, anti-marring hybrid epoxy finish that is nonporous, nonabsorbent and lasts a lifetime.
- The epoxy coating is electrostatically applied and then oven cured to provide continuous coverage on all surfaces at 3-5 mils thickness.
- Epoxy is the most durable coating available and allows for up to 5 times easier hanger movement (left to right) than vinyl.

### Steel

- All steel shelving is AISI/SAE 1008 cold drawn steel rod up to 70,000 PSI tensile strength.

### Cleaning

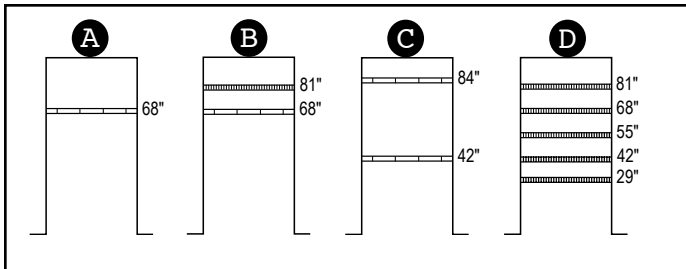
- The metal is cleaned and phosphated to ensure the coating bonds perfectly.

## Load Capacity:

- With back clips spaced every 11", support braces every 36" and side wall brackets where applicable, weight capacity is:

Shelving Length	Wall Total	Wall per ft.	Wall Total	Open Per Ft.	Open Total	Open Per Ft.
2 ft.	150	75	140	70	130	65
3 ft.	180	60	150	50	135	45
4 ft.	220	55	180	45	160	40
5 ft.	250	50	200	40	175	35
6 ft.	260	45	210	35	180	30
6 ft. +	260	45	210	35	180	30

## Basic Measurements and Spacing Guidelines:



- A. Simple Single Hang - Place a shelf at 68" above floor.
- B. Single Hang - Place a linen shelf at 81" above floor and shelf and rod at 68".
- C. Double Hang - Mount two shelves and rod at 42" and 84" above floor.
- D. Multiple shelves - install stacked linen shelves 13" apart.

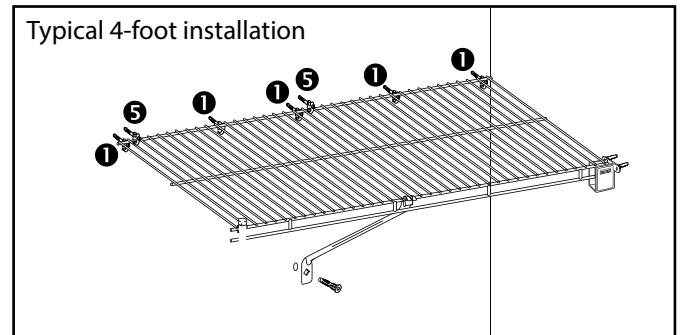
## Hardware:

- Back Clips - Attach to back wall every 11". Pre-loaded. Drill 1/4" holes. DO NOT PUNCH. Can also be used as a down back clip.
- Side Wall Brackets - Support shelf at side wall. Double anchor secures heavy loads. Pre-loaded. Comes in 2 sizes - Open Slide uses a 3" (76mm) tall Side Wall Bracket, all other shelves use a 2" (51mm) tall Side Wall Bracket.
- Support Braces/Support Poles - Support shelf at center or open end. Space every 36". For heavy loads, space every 24".
- Support Brace Anchors - Pin driven anchors are inserted into the bottom of support braces to secure it. Pre-loaded.
- Strap Back Clips/Versa Clip as Down Back Clip - To prevent shelf from popping out of back clips. For extra strength securing into studs.



Back clips ❶ serve a dual purpose and can be used as a down back clip ❷ by placing above the back rod. Use every 24" (Shelf & Rod only) and at the end of every open-ended shelves. Down Back Clips are used in addition to Back Clips.

For heavy loads, a Strap Back Clip is to be substituted, using two #8 x 1" screws into studs.



## Installation:

- Install both Hanging Shelf or Tight Mesh with components from three groups of hardware - Back Clips, Side Wall Brackets and Braces/Anchors.
- Cut shelving for wall-to-wall installations up to 1" shorter than the measured width to allow for Side Wall Brackets and out of square walls. Cut all other shelving to exact lengths.
- All Back Clips/Down Back Clips are to be fully inserted into wall before Pin is driven.

## 1.1 QUALITY ASSURANCE

- A. Manufacturer Qualifications: With more than 30 years of engineering and manufacturing excellence, Organized Living delivers the strongest home storage and organization solutions for every area of the home.
- B. Installer Qualifications: Factory trained and product experienced.
- C. Provide Computer Generated 3-Dimensional drawings for each design variation.
- D. Mock-Up: Provide a mock-up for evaluation of surface preparation techniques and application workmanship.
1. Finish areas designated by Architect.
  2. Do not proceed with remaining work until workmanship, color, and product selection are approved by Architect.
  3. Refinish mock-up area as required to produce acceptable work.

## 1.2 DELIVERY, STORAGE, AND HANDLING

- A. Store products in manufacturer's unopened packaging until ready for installation.

## 1.3 PROJECT CONDITIONS

- A. Maintain environmental conditions (temperature, humidity, and ventilation) within limits recommended by manufacturer for optimum results. Do not install products under environmental conditions outside manufacturer's absolute limits.

## 1.4 WARRANTY

- Manufacturer warrants for 10 years, as long as the original purchaser owns the product against defects in material and workmanship that impair the utility of the product. This warranty applies under conditions of normal use as a storage organization system. This warranty excludes product damage due to improper installation or product abuse or misuse, whether inflicted by an installing contractor, service company or others. Non residential applications are limited to a two year warranty.

## PART 2 PRODUCTS

### 2.1 MANUFACTURERS

- A. Acceptable Manufacturer: Organized Living Corp; 3100 E Kemper Rd, Cincinnati, OH 45241. Tel: (800) 669-3225. Tel: (513) 277-3700. Fax: (513) 277-3701. Email: customerservice@organizedliving.com. www.organizedliving.com.
- B. Substitutions: Not permitted due to Organized Living's higher quality engineering specifications on wire and rod gauges and baked on epoxy powder coating.
- C. Requests for substitutions will be considered in accordance with provisions of Section 01600.

### 2.2 CLOSET SYSTEM – SHELFTECH VENTILATED SHELIVING

\*\* NOTE TO SPECIFIER \*\* Blocking is not required for Organized Living's Ventilated Storage Systems. Easily adjustable components are coated with beautiful white epoxy for a lifetime of non-chip, non-stick performance. Epoxy powder coating is environmentally friendly and contributes to LEED points.

- A. Products: Shelftech Ventilated storage systems as manufactured by Organized Living; including component and accessories as required for complete installation.

\*\* NOTE TO SPECIFIER \*\* Shelftech Ventilated support structure loading. Delete if not required for project.

- B. Structural Performance: Back clips spaced 11 inches (279 mm) with support braces at 3 feet (914.4 mm).

1. Static Load: 40 lb/ft (59.53 kg/m) of shelf minimum.
2. For heavy duty applications in pantry and garage applications space support brace on 2 feet (610 mm).
3. Back Clips to be Shelftech pin driven hardware.
4. Down Back Clips shall be Tri-Loc II Patented hollow wall anchoring system.

- C. Material: Minimum requirements.

1. Steel Rod: Grade C 1008 cold drawn steel rod. Tensile strength of 100 ksi.

\*\* NOTE TO SPECIFIER \*\* Delete option for Shelf not required for project.

2. Hanging Shelf Front Rods and Studs: 0.290 inch (7.366 mm) diameter.
3. Open Slide Front Rods and Studs: 0.243 inch (6.2mm)
4. Storage Shelf Top Front Rods: 0.223 inch (5.66 mm) diameter.
5. Back Rods: 0.243 inch (6.2 mm) diameter.

\*\* NOTE TO SPECIFIER \*\* Delete option for cross wire spacing not required for project.

6. Cross Wire Spacing: As scheduled and indicated on Drawings.
7. Cross Wire Spacing: 1 inch (25.4 mm) spacing. 0.091 inch (2.3 mm) diameter for one inch spaced standard mesh shelf.
8. Cross Wire Spacing: 5/8 inch (16.875 mm) spacing. 0.091 inch (2.3 mm) diameter for one-half inch spaced tight mesh shelf.
9. Finish: Electrostatic applied oven cured epoxy at all surfaces to 3 to 5 mil (.075 to 0.127 mm) thickness.

- D. Design: Pure White.

\*\* NOTE TO SPECIFIER \*\* Delete options for component types not required.

- E. Components:

1. Component Types: As scheduled and indicated on Drawings.
2. Storage Shelf: 12 inches (305 mm) and 16 inches (406 mm) deep by 12 feet (3658 mm) long as scheduled and as indicated on Drawings.
  - a. Shelves spaced a minimum of 13 inches (330 mm) apart.
3. Tight Mesh Storage Shelf: 9 inches (229 mm), 12 inches (305 mm) and 16 inches (406 mm) deep by 12 feet long as scheduled and as indicated on Drawings.

4. Hanging Shelf: 12 inches (305 mm) by 12 feet long as scheduled and as indicated on Drawings.
5. Open Slide Hanging Shelf: 12 inches (305mm) by 12 feet long as scheduled and as indicated on Drawings.
6. Support Brace: Maximum 36 inches (914.4 mm) and every open end.
7. Support Pole: Option to support brace at recommended spacing for location and application all as scheduled and as indicated on Drawings.
8. Side Wall Bracket: As scheduled, indicated on Drawings and required for complete installation. Shelf side wall interface.
9. Back Clips: As scheduled, indicated on Drawings and required for complete installation. 11 inches (280 mm) apart and 1-1/2 inches (39 mm) from each side wall.
10. Fasteners, clips, caps and touch-up all as scheduled, indicated on Drawings and required for complete installation.

## PART 3 EXECUTION

### 3.1 EXAMINATION

- A. Prepared spaces are sized and located in accordance with shop drawings.
- B. Framing, reinforcement and anchoring devices are correct type and are located in accordance with shop drawings.

### 3.2 PREPARATION

- A. Layout scheduled components prior to installation to verify wall to wall and floor to ceiling heights, widths, plumb and flatness of surfaces.
- B. Prepare anchor locations and select anchor types using the methods recommended by the manufacturer for achieving the best result for the substrate under the project conditions.

### 3.3 INSTALLATION

- A. Can be installed in any substrate in accordance with manufacturer's instructions.
- B. Install components true to line, square with adjacent components with drawer glides and working hardware operating smoothly without binding, or gaps when closed.

### 3.4 PROTECTION

- A. Protect installed products until completion of project.
- B. Touch-up, repair or replace damaged products before Substantial Completion.